



Oil Mist Separator □
OD 2000/3000

Oil Mist Separators OD-2000 and OD-3000 HT are designed to remove the oil mist generated by fluid-cooled processing machines.

Located directly alongside the machine, the oil mist separators filter and clean the contaminated air.

After purification, the air is returned to the surrounding working area.

Installation

Electrical connection

The oil mist separator is fitted with a motor safety cut-out and a 16 A wall connector.

During initial installation, check that:

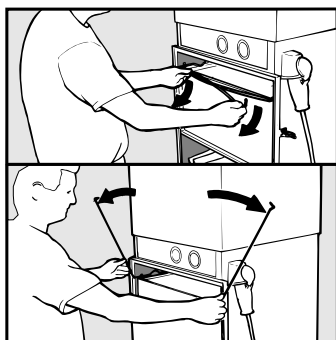
- the oil mist separator is correctly installed according to the plans.
- silencer cover and air channels are installed where necessary.
- the electrical connection has been correctly carried out.
- the fan rotates in the correct direction.
- the drain is installed.
- the coarse filter is installed.
- the prefilter is installed.
- the microfilter is installed.
- the inspection cover is in place and secured.

Service - Filter exchange

The coarse filter is removed and washed as necessary.

Filter exchange should be carried out when the pressure drop is 800 Pa (0.12 lbf/in²) for the prefilter and 1000 Pa (0.15 lbf/in²) for the microfilter.

⚠ During all maintenance work, the oil mist separator should be switched off and disconnected from the power supply!



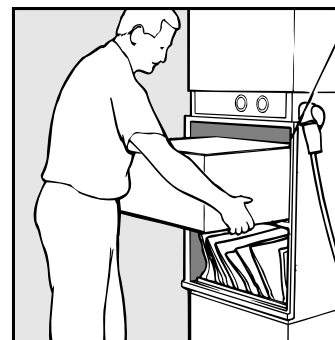
1. Open the four eccentric locks and lift off the service cover. Open the locking springs as shown in the diagram.



2. The used prefilter is removed. A new prefilter is installed.

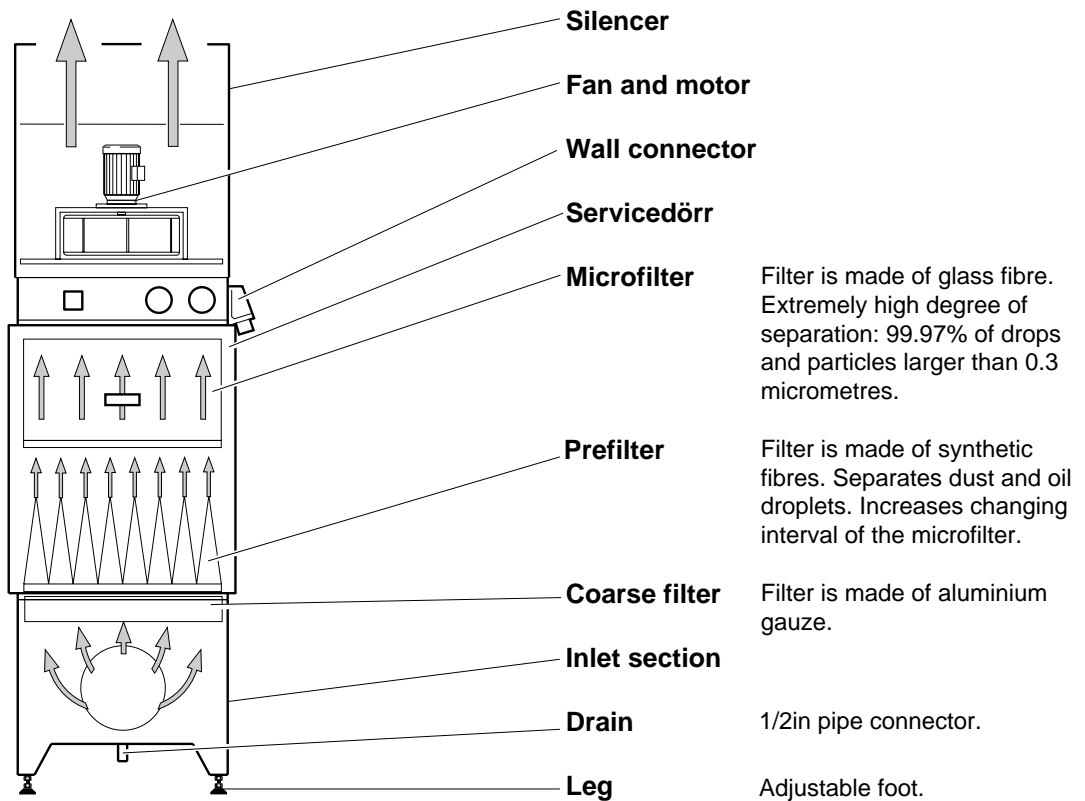


3. The coarse filter is removed, cleaned and then refitted.



4. The used microfilter is removed. A new microfilter is fitted.

Technical description



Microfilter Filter is made of glass fibre. Extremely high degree of separation: 99.97% of drops and particles larger than 0.3 micrometres.

Prefilter Filter is made of synthetic fibres. Separates dust and oil droplets. Increases changing interval of the microfilter.

Coarse filter Filter is made of aluminium gauze.

Drain 1/2in pipe connector.

Leg Adjustable foot.

OD-2000

Oil mist separator OD-2000 filters and cleans the contaminated air. It is sited directly alongside the processing machine.

OD-3000 HT

Oil mist separator OD-3000 HT filters is fitted with a high pressure fan. It has a high capacity and can be connected to long air channels and several processing machines.

Technical specification

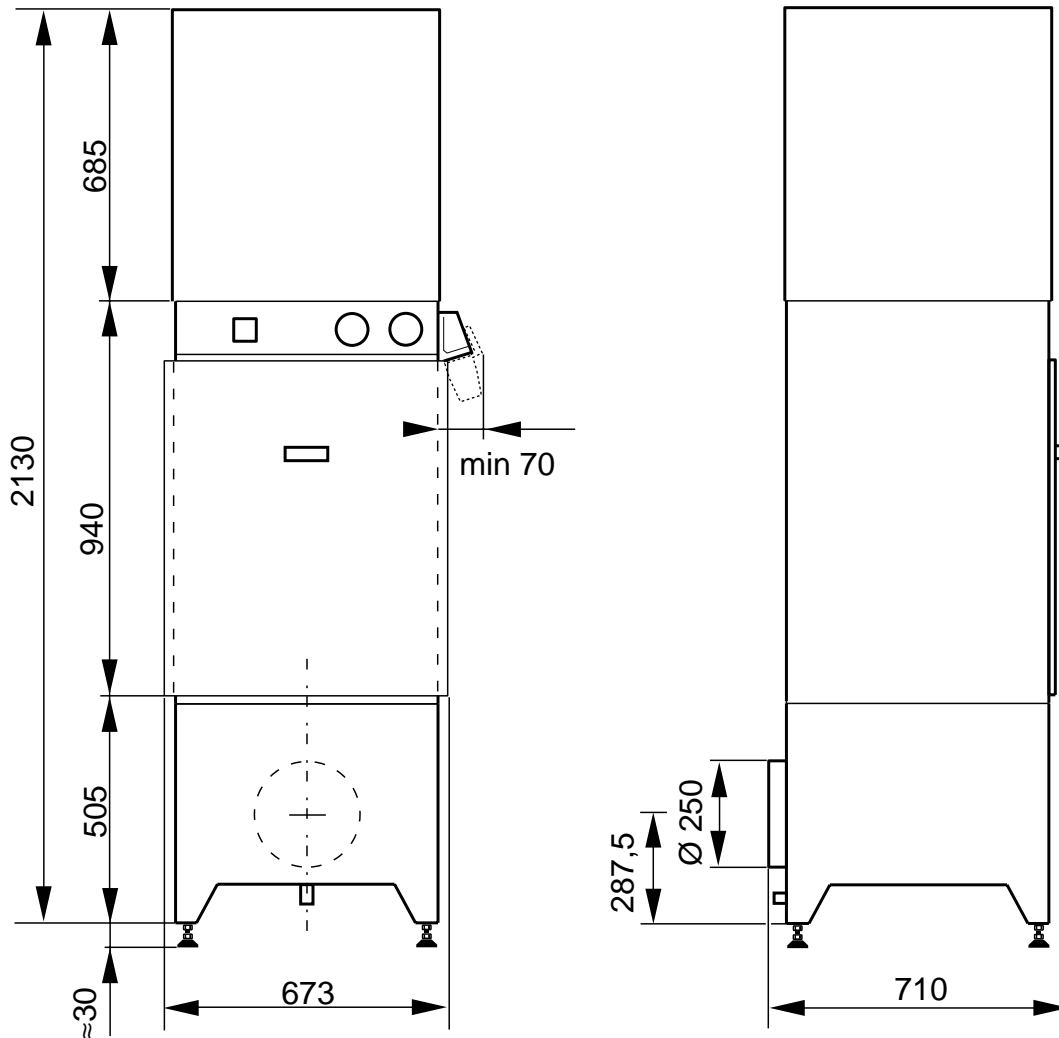
OD-2000

Air capacity	2000 m ³ /h (70 000 cu. ft/h)
Static pressure	1650 Pa (0.24 psi)
Motor power	1.1 kW, 220/380 V
Protection standard	IP 54
Max. temp., motor	+40° C (104° F)
Max. temp., filter	+80° C (176° F)
Degree of separation	99.97%
Weight	135 kg (300 lb)
Sound level	65 dB(A), 1.5 m (5 ft) from machine, 1.5 m (5 ft) above floor level.

OD-3000 HT

Air capacity	3000 m ³ /h (106 000 cu. ft/h)
Static pressure	2300 Pa (0.33 psi)
Motor power	3 kW, 220/380 V
Protection standard	IP 54
Max. temp., motor	+40° C (104° F)
Max. temp., filter	+80° C (176° F)
Degree of separation	99.97%
Weight	145 kg (320 lb)
Sound level	70 dB(A), 1.5 m (5 ft) from machine, 1.5 m (5 ft) above floor level.

Measurements

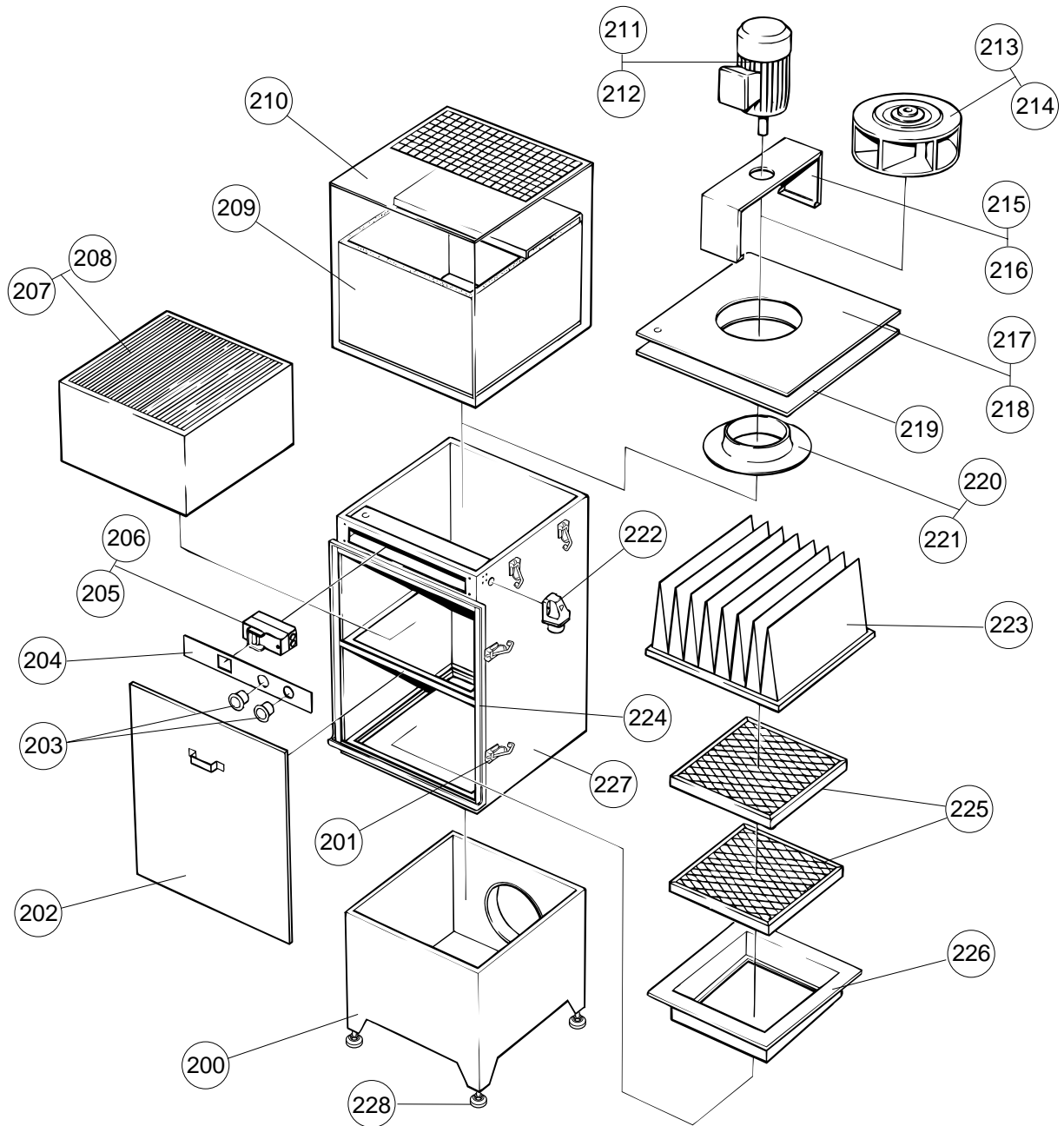


(Dimensions in mm)

Note:

- the legs are adjustable between 25 and 55 mm.
- the height, stated as about 30 mm, is purely a guide.
- the inlet section has four possible directions for connection: rear, left, right, front.

Component parts



- No. 200 Inlet section
- No. 201 Eccentric lock
- No. 202 Service cover
- No. 203 Manometer
- No. 204 Instrument panel
- No. 205 Motor safety cut-out OD-2000
- No. 206 Motor safety cut-out OD-3000
- No. 207 Microfilter OD-2000
- No. 208 Microfilter OD-3000
- No. 209 Silencing material
- No. 210 Silencer cover
- No. 211 Electric motor OD-2000
- No. 212 Electric motor OD-3000
- No. 213 Fan OD-2000
- No. 214 Fan OD-3000

- No. 215 Fan bracket OD-2000
- No. 216 Fan bracket OD-3000
- No. 217 Fan mounting OD-2000
- No. 218 Fan mounting OD-3000
- No. 219 Insulation
- No. 220 Inlet flange OD-2000
- No. 221 Inlet flange OD-3000
- No. 222 Wall connector
- No. 223 Prefilter
- No. 224 Seal
- No. 225 Coarse filter
- No. 226 Coarse filter holder
- No. 227 Filter housing
- No. 228 Adjustable foot

JAR Luftvård AB, a company within the **Plåtbyn group**, has been manufacturing products and plants for air conditioning since **1984**.

Our customers include:

SECO-TOOLS AB

SANDVIK AB

ERA STEEL AB

SKF AB

ALFA-LAVAL AB

MECMAN PNEUMATIK AB



Retailer: